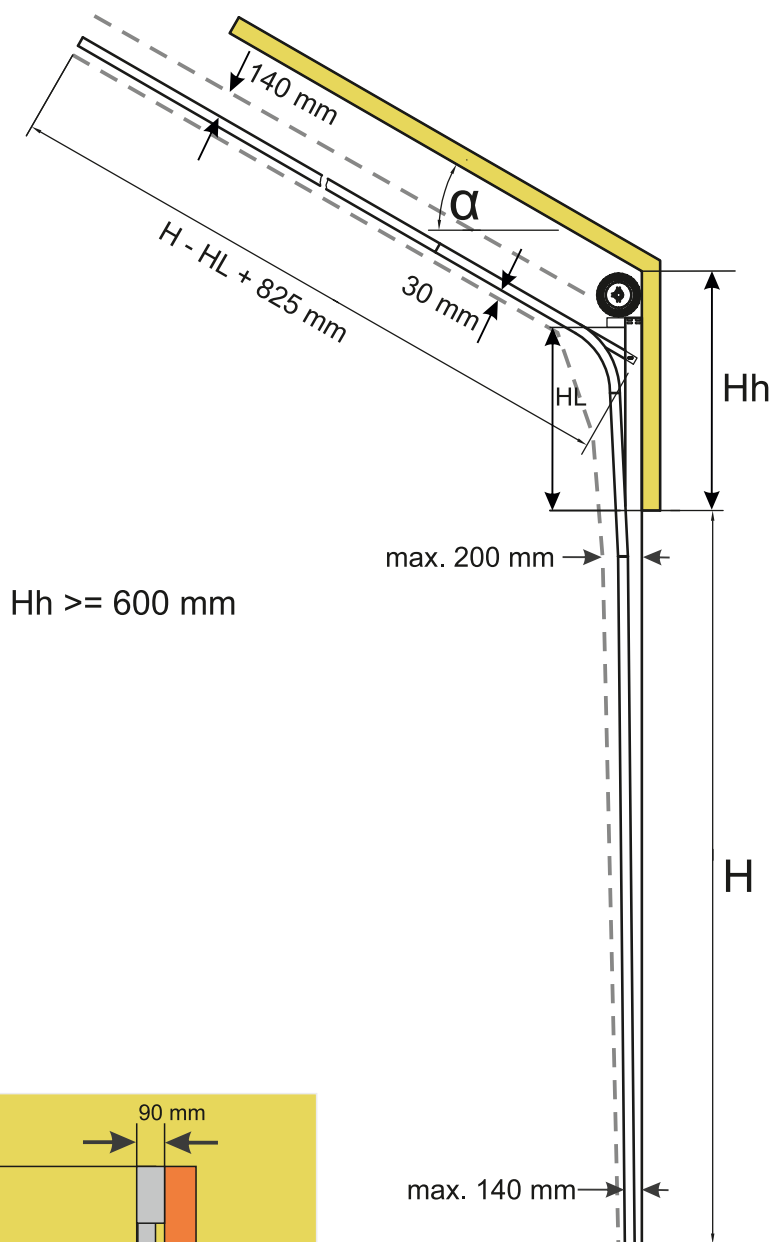
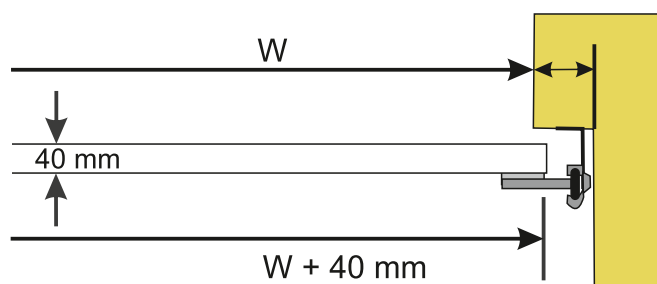
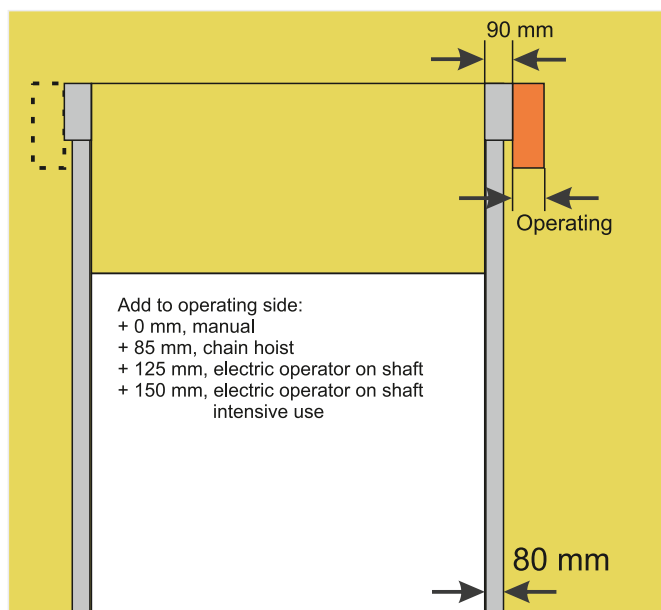


FOLLOWING HIGH LIFT

Dimensions and installation requirements



$Hh \geq 600 \text{ mm}$



RIPO is not liable if the installation is also carried out by third parties. Technical alterations and printing errors reserved